

Total Foot Support

Overview and technical data



Total Foot Support 57845, see technical data on next page.

- Total foot support for glazed tableware during the firing process.
- High quality Corderite for max. 1300 °C.
- Cranks with plain surface and integral legs.
- Supplied in six different sizes.
- Can be produced in other materials depending on customer requirements.

General

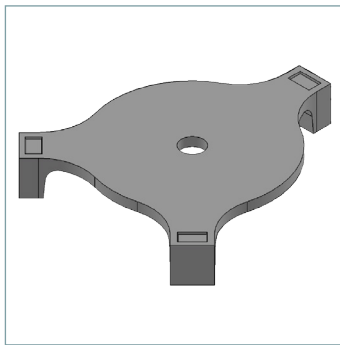
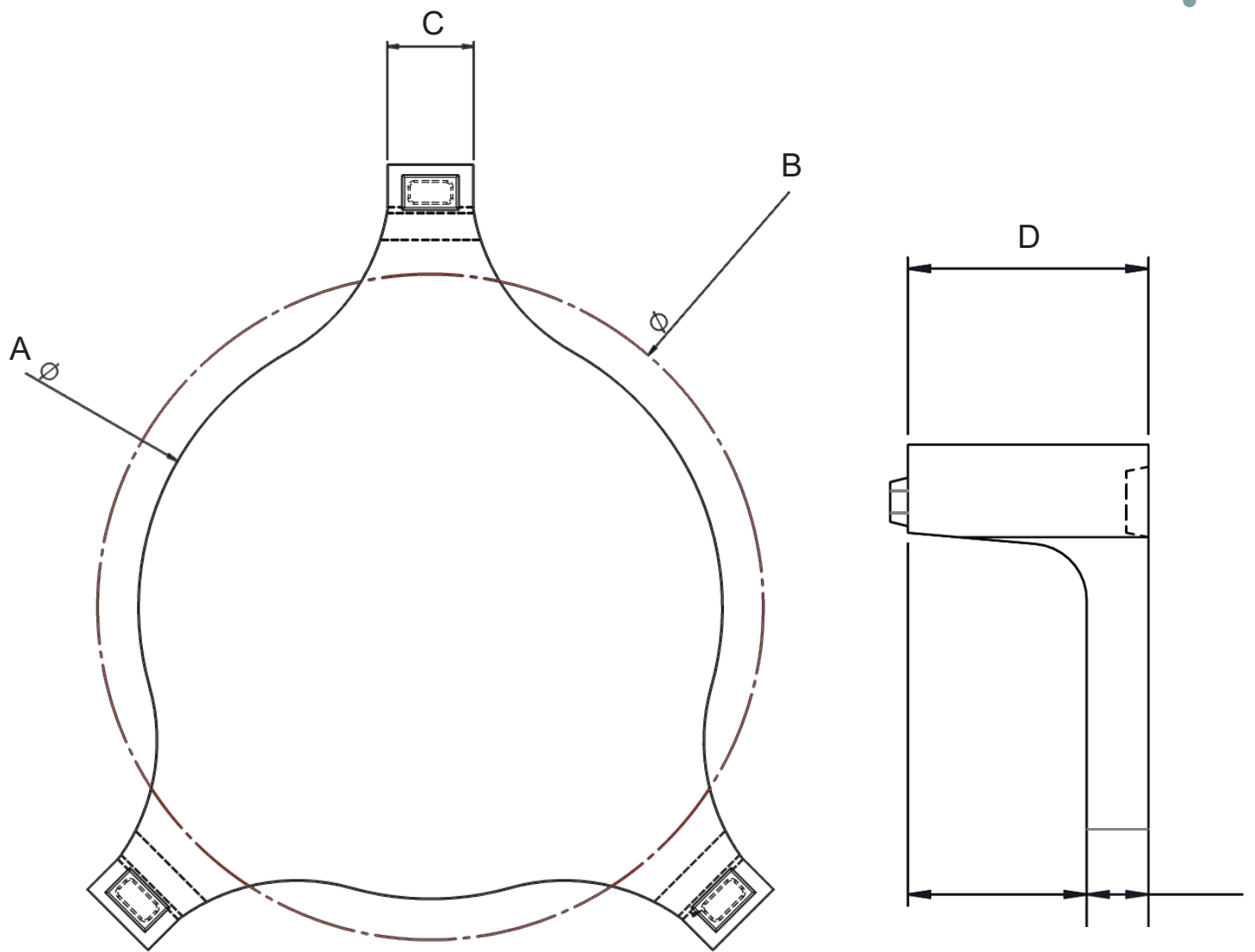
Glost Cranks are usually used to support glazed tableware during firing.

Their objective is to maximise the number of products that can be placed in the kiln. Glost cranks are normally suitable only for “foot wiped” ware; products that are glazed all over are usually supported in a Pin Crank System.

The TFS series (Total Foot Support) are effectively a small batt with integral legs that gives full support to the foot of a plate during firing, minimising distortion.

The products are produced in a high quality Corderite and suitable for firing up to maximal 1300 °C. The TFS are constructed to be stacked although not to a height that leads to instability and the risk of falling over. As a general rule, stacks of more than 20 cranks are not recommended but of course it all depends on factors such as the flatness of the placing surface and the amount of movement in the process.

Where kiln atmospheres contain glaze volatiles, these can attack the surface of kiln furniture and cause the surface to peel. This isn't usually detrimental to the performance of the cranks, but pieces of refractory can contaminate ware, so loose pieces should be removed wherever possible. If glaze attack is a particular problem, then materials with an increased resistance to attack are available.



Model	Item no	Dimensions					Weight
All measures in mm		Dia (A)	Dia (B)	Leg (C)	Height (D)	Thickness	(kg)
Total Foot Support 160/40	57844	130,0	N/A	35,0	39,0	9,0	0,5
Total Foot Support 180/40	57845	182,0	N/A	36,0	40,0	10,3	0,7
Total Foot Support 200/40	57846	204,0	N/A	36,0	56,0	11,0	0,8
Total Foot Support 230/40	57847	238,0	270,0	40,0	42,0	11,6	1,1
Total Foot Support 270/50	57848	238,0	N/A	40,0	52,0	11,6	1,4
Total Foot Support 310/50	57849	272,0	310,0	40,0	54,5	14,0	1,8

We reserve us the right for changes without further notice.

Cebex Keramikexperterna AB